



| | | | | | | |
|----------|--|------|--|-----|-----------|--|
| PROJECT | | REF | | REV | ITEM CODE | |
| LOCATION | | DATE | | | PAGE | |

SANITARY WARE SPECIFICATION SHEET

| | |
|-------------------|---|
| Item Descriptions | GROHE (Germany) "Minta" Brushed hard graphite single lever sink mixer; Nominal flow rate 4.7L/Min in WELS Grade 1 ; Registration No. TM 21-0030 |
| Dimensions | L223 x W140 x H309 mm |
| Model | 32488AL0 (Mixer) 64647040 (Aerator) |
| Finish | Brushed Hard Graphite |
| Country of Origin | Portugal |
| Manufacturer | GROHE Limited |
| Supplier | Acme Sanitary Ware Co. Ltd Mr. Eric Wong/ Mr. Don Yuen |
| Contact Tel/Fax | (852) 2388-7171 / (852) 2710-8012 |
| E-mail | acme@acmesanitary.com.hk |
| Website | www.acmesanitary.com.hk |

Illustration/ Drawing



Minta Single-lever Sink Mixer 1/2"

U-spout, single hole installation, adjustable flow rate limiter

GROHE SilkMove® 46 mm ceramic cartridge

GROHE StarLight finish

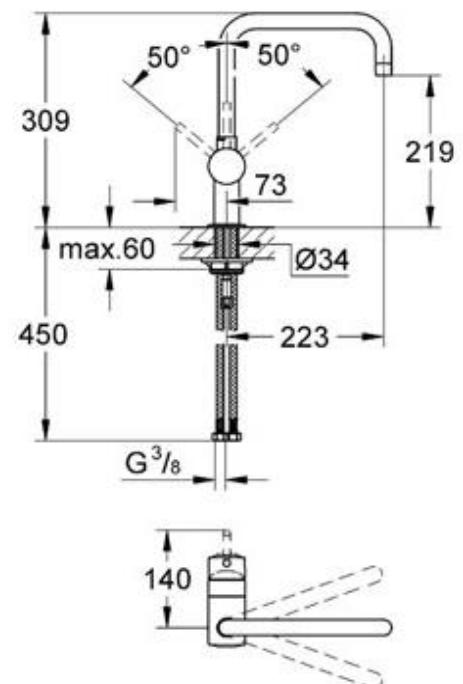
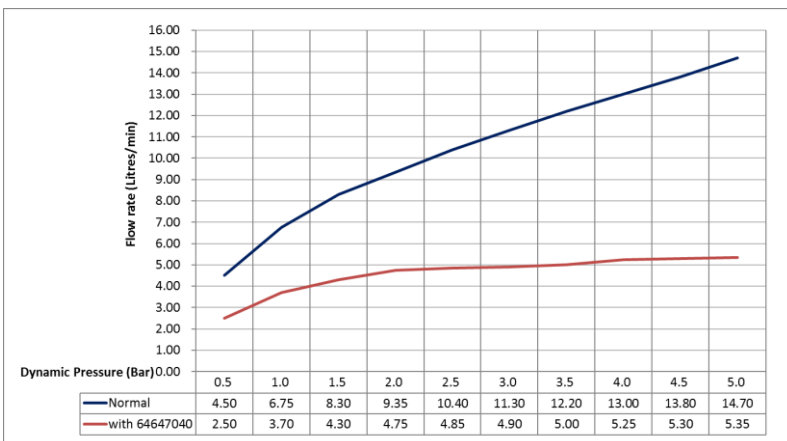
selectable swivel area: 0° / 150° / 360°

swivel tubular spout

flexible connection hoses

rapid installation system

with 64647040 Insert Faucet Aerator



Note: Flexible Hose 406159040

* All information of the above is for the reference only. No prior notice is made if any changes.

註冊號碼 (Registration No.):

TM 21-0030



自願參與用水效益標籤計劃 - 水龍頭
Voluntary Water Efficiency Labelling Scheme - Water Taps



茲證明
This is to certify that

將下列水龍頭在本計劃內註冊：
has registered the following water tap under this scheme :

| | | |
|--------------------------------|---|---|
| 牌 子 / Brand | : | Grohe |
| 型 號 / Model | : | 32488XXX + 64647040 |
| 種 類 / Type | : | Mixing |
| 原產地 / Country or Region Origin | : | Portugal (Mixer) Germany (Flow Controller) |

XXX – denotes the code of colour

| | | | |
|---|---|-----|--------------------------------|
| 在用水效益標籤上展示的標誌 <i>Symbolic Presentation on the Water Efficiency Label</i> | : | | 滴水點 <i>Water droplet(s)</i> |
| 用水效益級別 <i>Water Efficiency Grade</i> | : | 1 | |
| 耗水量 <i>Water Consumption</i> | : | 4.7 | 公升/分鐘 <i>litres/minute</i> |

簽發日期：
Date of Issue: 11 February 2021

水務署
Water Supplies Department



水務署署長(張樂駒代行)
for Director of Water Supplies



水務署
Water Supplies Department

總部 Headquarters

香港灣仔道七號入境事務大樓 48 樓

7 Gloucester Road, Wan Chai, Hong Kong



本署檔號
Our ref.
來函檔號
Your ref.

Pt.1 T/J(305)

電話
Tel.
傳真
Fax. : 2824 0578

19 July 2019



Approval of "GROHE" Sink Mixer (General Acceptance No. C20190369)

Your letter ref. WRC/2048 dated 27 March 2019 and subsequent submission received by this department on 21 June 2019 refer.

Having considered the test report ref. J23935Ar2 issued on 3 June 2019 by Nutek Systems (HK) Ltd., this Authority accepts that the fitting described below complies with, and its use when correctly installed does not contravene, the Waterworks Ordinance and Regulations.

Name of Manufacturer: Grohe AG

Country of Origin: Portugal

Brand: Grohe

Details of Fitting: 3/8" Single lever sink mixer

Model: 32488XXX
(where the digits "XXX" denote the code of colour)

Body Markings:

Expiry Date: 31 January 2024



This Authority hereby permits the use of the above fitting in fresh water plumbing systems subject to full adherence to Waterworks installation requirements. In particular, you are required to draw your customers' attention to the following requirement-

“The cold water supply to the fitting shall be drawn from the same source that supplies the hot water apparatus so as to provide a balanced pressure and to obviate the risk of scalding in the event of a restriction or failure in the water supply.”

A condition of this acceptance is that the fitting to be installed shall be replicas of the sample as certified by the testing agent mentioned above and without modifications. This acceptance may be withdrawn at any time if the standard of the fitting installed fails to meet that of the approved sample or if the fitting is found to be unsuitable for use in fresh water plumbing systems.

This acceptance is only applicable to the main body of the fitting, unless otherwise specified.

For the use of the fitting in any project, the General Acceptance Number of this letter must be quoted as a means of identification of acceptance of the fitting by this Authority.

Should you have any enquiries, please contact our Engineer Mr. Terry KUNG at tel. no. 3583 4086.

Yours faithfully,



(CHAN Chung-kun)

for Director of Water Supplies

Encl.

c.c. WSD 3321/1/82] - without catalogue
 ME/MC] - with soft copy only